

BASSWOOD



CEDAR

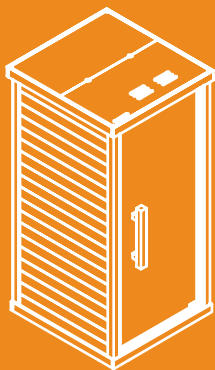


EUCALYPTUS



5-15P
USA / CAN

- ▶ Solocarbon far infrared technology proven 95% effective
- ▶ Clinically-tested to lower blood pressure, increase core temperature and aid in weight loss
- ▶ Environmentally approved for safety with ultra low EMF technology and much more...



SIGNATURE I

Restore your healthy vitality with this slim and sleek Signature® sauna. Elegant details of crown molding and exterior lighting make this far infrared sauna a beautiful addition to any room.

SPECIFICATIONS

Exterior

96 cm W x 101 cm D x 197.5cm H* / 71.1cm door width

Interior

81.5 cm W x 85.3 cm D x 178.1 cm H / 50.8 cm bench depth

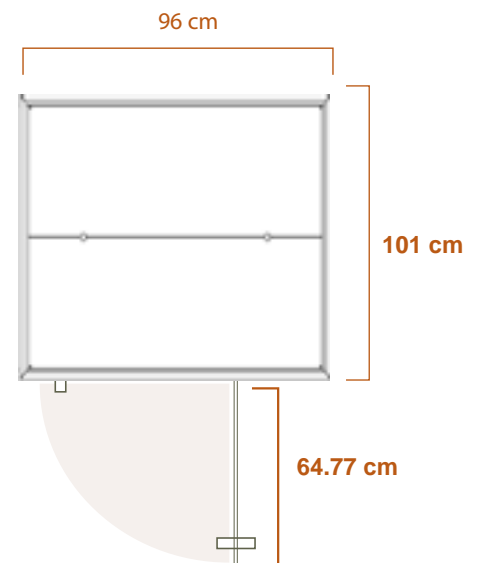
Weight

Approx. 375 lbs / 170 kg

Electrical

International : 240v, 1350w, 8a (Dedicated 13A outlet)

9' cord exits from back left of roof



ELECTRICALLY CERTIFIED



RoHS


sunlighten®
empowering wellness®

2 Leng Kee Road #04-08/07/06 Thye Hong Centre Singapore 159086
Tel : +65 6733 3627 / 6738 0018 | sunlightensauna.com.sg

Signature® I Sauna Panels

For seamless craftsmanship, each wall of the Signature consists of one large wooden panel:

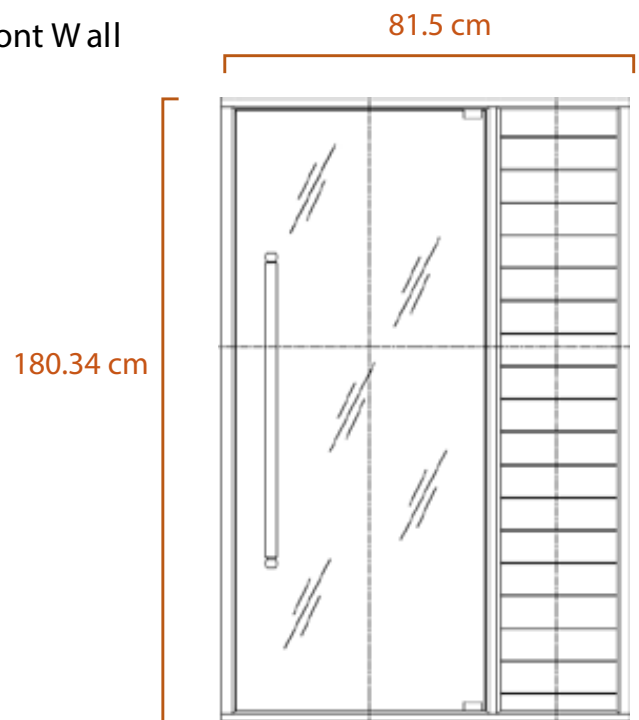
- Roof & Floor Panels
101.6 cm x 106.4 cm x 7.6 cm thick (see diagram)
- Back & Front Panels
81.5 cm x 180.34 cm x 7.6 cm thick (see diagram)
- Side Panels
85.34 cm x 180.34 cm x 6.6 cm thick

Fitting into your space:

Because of the large panel size, it is important to ensure there is enough space through the doors and pathways to the sauna's location in your home.

Please measure any doorway or hallway needed prior to purchase

Front Wall



Roof

