



SIGNATURE II

Restore your healthy vitality with this slim and sleek Signature® sauna. Elegant details of crown molding and exterior lighting make this far infrared sauna a beautiful addition to any room.

SPECIFICATIONS

Exterior

51" W x 46.1" D x 77.5" H* / 28" door width

Interior

45.9" W x 40" D x 70.1" H / 20" bench depth

Weight

Approx. 490 lbs.

Electrical

120v; 2006 watts, 20a (20A outlet)

DEDICATED 120V 20A

CIRCUIT AND OUTLET REQUIRED*

9' cord exits from back left of roof



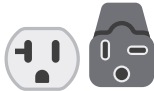
BASSWOOD



CEDAR

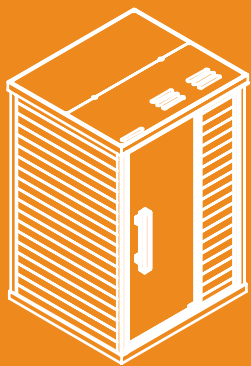
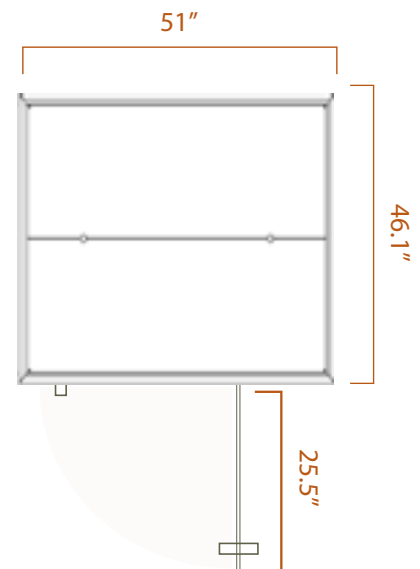


EUCALYPTUS



5-20R
USA / CAN

- ▶ Solocarbon far infrared technology proven 95% effective
- ▶ Clinically-tested to lower blood pressure, increase core temperature and aid in weight loss
- ▶ Environmentally approved for safety with ultra low EMF technology and much more...



sunlighten®

empowering wellness®

ELECTRICALLY CERTIFIED



RoHS

7373 W 107th Street | Overland Park, KS 66212
Toll Free 1.877.292.0020 | sunlighten.com

Signature® II Sauna Panels

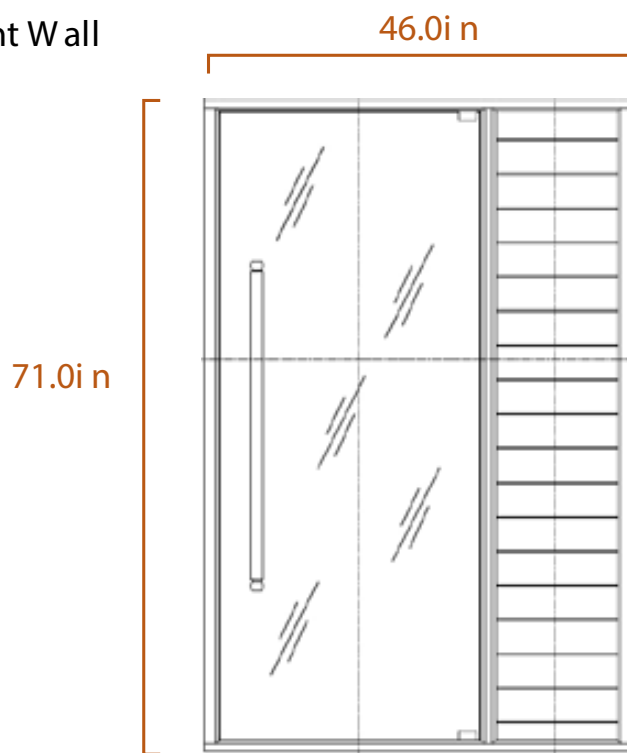
For seamless craftsmanship, each wall of the Signature consists of one large wooden panel:

- Roof & Floor Panels
51" x 46.1" x 3" thick (see diagram)
- Back & Front Panels
46" x 71" x 3" thick (see diagram)
- Side Panels
44.6" x 71" x 2.6" thick

Fitting into your space:

Because of the large panel size, it is important to ensure there is enough space through the doors and pathways to the sauna's location in your home. Standard doors in the US are 30" to 36" wide, and 6' to 8' tall. Please measure any doorway or hallway needed prior to purchase

Front Wall



Roof

