



Eucalyptus



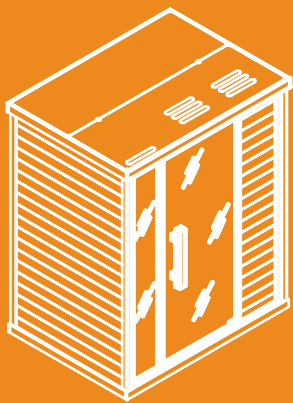
BASSWOOD



CEDAR



EUCALYPTUS



- ▶ Solocarbon far infrared technology proven 95% effective
- ▶ Clinically-tested to lower blood pressure, increase core temperature and aid in weight loss
- ▶ Environmentally approved for safety with ultra low EMF technology and much more...

SIGNATURE III

Restore your healthy vitality with this slim and sleek Signature® sauna. Elegant details of crown molding and exterior lighting make this far infrared sauna a beautiful addition to any room.

SPECIFICATIONS

Exterior

158.49 cm W x 117.09 cm D x 196.85 cm H* / 71.12 cm door width

Interior

145.54 cm W x 101.6 cm D x 178.05 cm H / 50.8 cm bench depth

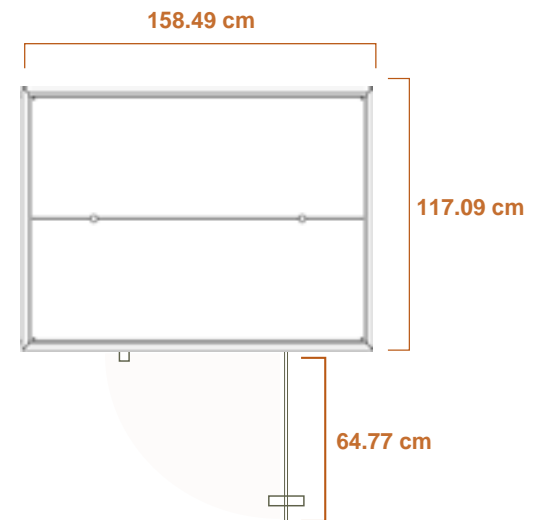
Weight

Approx. 575 lb. / 236 kg

Electrical

International : 240 V, 2551 W, 10.6A (Dedicated 15A point)

9' cord exits from back left of roof



ELECTRICALLY CERTIFIED



Signature® III Sauna Panels

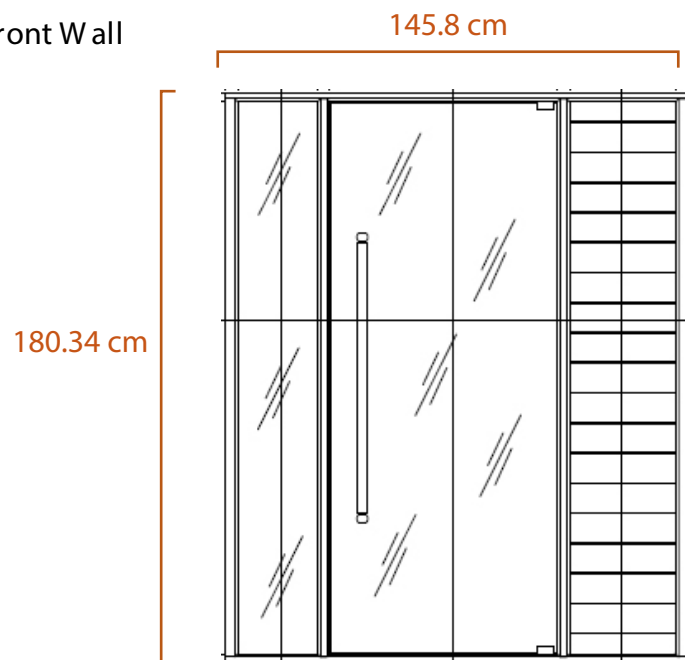
For seamless craftsmanship, each wall of the Signature consists of one large wooden panel:

- Roof & Floor Panels
158.49 cm x 117.09 cm x 7.62 cm thick (see diagram)
- Back & Front Panels
145.8 cm x 180.34 cm x 7.62 cm thick (see diagram)
- Side Panels
113.28 cm x 180.34 cm x 6.60 cm thick

Fitting into your space:

Because of the large panel size, it is important to ensure there is enough space through the doors and pathways to the sauna's location in your home.

Front Wall



Roof

