



SIGNATURE IV

Restore your healthy vitality with this slim and sleek Signature® sauna. Elegant details of crown molding and exterior lighting make this far infrared sauna a beautiful addition to any room.

SPECIFICATIONS

Exterior

205.5 cm W x 131 cm D x 198.12 cm H* / 71.12 cm door width

Interior

188.9 cm W x 126.7 cm D x 178.56 cm H / 50.8 cm bench depth

Weight

Approx. 303 kg

Electrical

240v; 2500 watts, 20a (20A outlet)

DEDICATED 240V 20A

CIRCUIT AND OUTLET REQUIRED*

9' cord exits from back left of roof



BASSWOOD



CEDAR

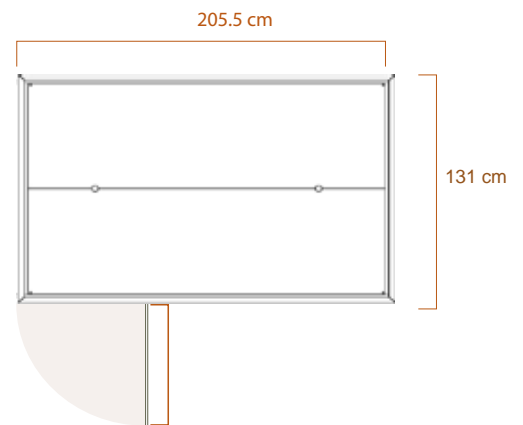


EUCALYPTUS



6-20R
USA / CAN

- ▶ Solocarbon far infrared technology proven 95% effective
- ▶ Clinically-tested to lower blood pressure, increase core temperature and aid in weight loss
- ▶ Environmentally approved for safety with ultra low EMF technology and much more...



sunlighten®

empowering wellness®

ELECTRICALLY CERTIFIED



RoHS

2 Leng Kee Road #04 - 08/07/06 Thye Hong Centre Singapore 159086
Tel : +65 6733 3627 / 6738 0018 | sunlightensauna.com.sg

Signature® IV Sauna Panels

For seamless craftsmanship, each wall of the Signature consists of one large wooden panel:

- Roof & Floor Panels
163.83 cm x 122.17 cm x 7.62 cm thick (see diagram)
- Back & Front Panels
145.79 cm x 180.34 cm x 7.62 cm thick (see diagram)
- Side Panels
113.28 cm x 180.34 cm x 6.60 cm thick

Fitting into your space:

Because of the large panel size, it is important to ensure there is enough space through the doors and pathways to the sauna's location in your home.

Please measure any doorway or hallway needed prior to purchase

